



Packaging Industry

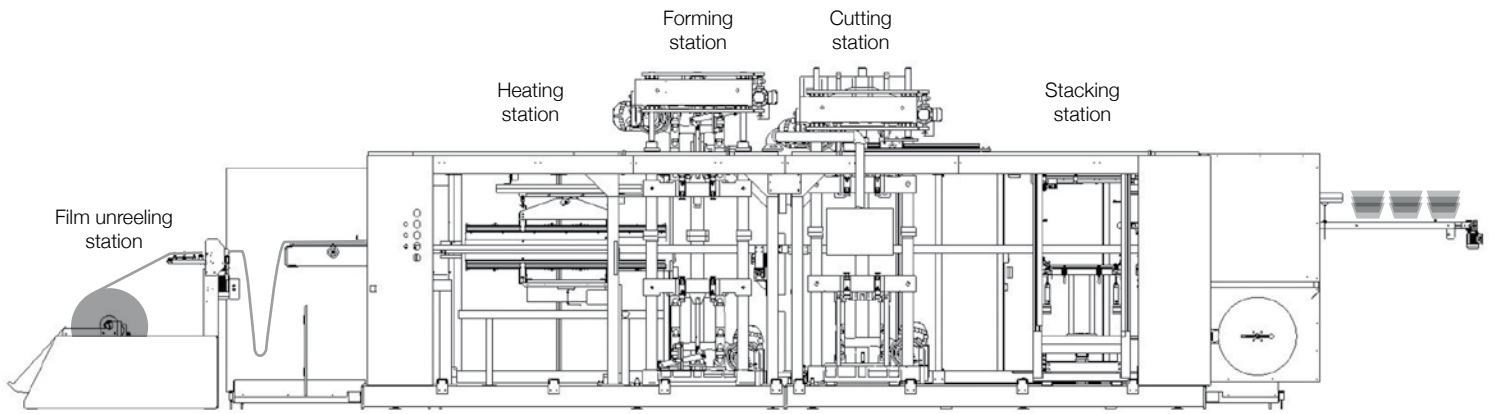
SPEEDFORMER KMD 78.1 Premium



The KMD 78.1 Premium stands for consequent continuation of a success story with a focus on our customers' products.

The machine is used for the manufacture of packaging products made of (R)PET, PP, PS, CPET, OPS, PLA, PE and others.

Benefit from the best in its class!



Automatic Pressure Forming Machine
KMD 78.1 Premium



Heating with efficient ceramic elements (HTS)



Easy to operate, CAT system recipe creation



Lower drive cutting station with tension bars

- Forming and Cutting Station in solid steel cast structure with needle bearings for toggles
- Forming station with independent servo-plug drive on upper table
- No compromise on Kiefel „KISS CUT“ by use of tension bars in cutting station and forming station when cut-in-place (BFS)
- Stacking station design as up-stacker or down-stacker, with tip-stacker or Pick & Place available
- Frame extension available for hole-punching station or integration of padding station



Reliable stacking options, easy part removal

Technical Data

KMD 78.1 Premium

Maximum forming area	760 x 580 mm
Minimum forming area	375 x 350 mm
Maximum tool dimensions	780 x 600 mm
Maximum tool weight per table	300 kg
Maximum height of formed part above film level	150 mm
Maximum height of formed part below film level	150 mm
Maximum film width	810 mm
Maximum production speed / BFS-mode	40 cycles/min. / 35 cycles/min.