



Packaging Industry

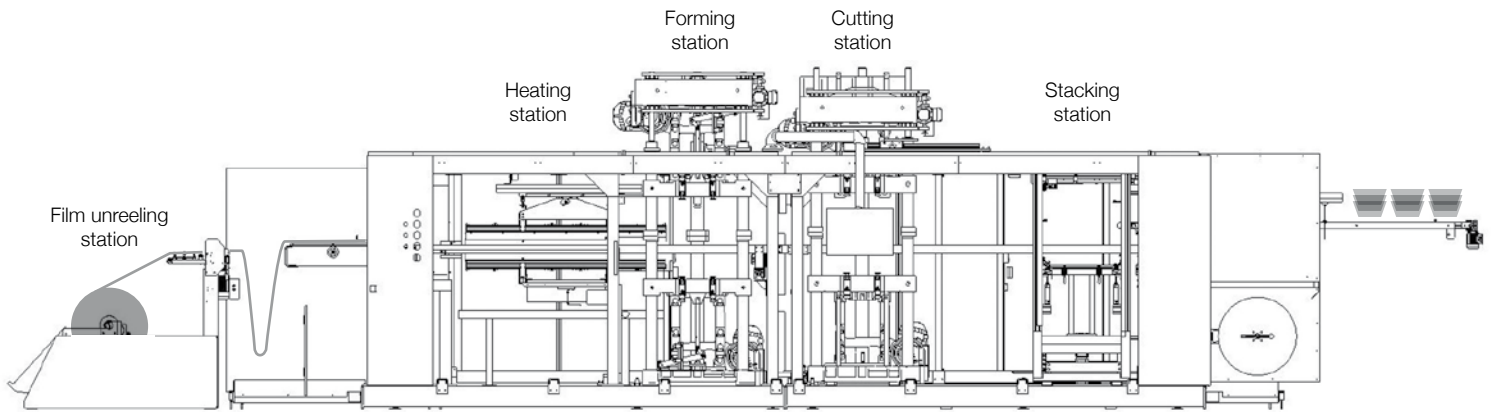
SPEEDFORMER KMD 85 Speed



The KMD 85 Speed is the model for a consequent implementation of customers' and market needs.

The machine is used for the manufacture of packaging products made of (R)PET, PP, PS, CPET, OPS, PLA, PE and others.

Maximize your performance!



Automatic Pressure Forming Machine
KMD 85 Speed



CAT turns basic data into perfect products



Pick & Place to opposite operator side, convenient height of reception



Toolchange in one block

- Pyrometer to measure and ensure stable film temperature via closed-loop auto heat performance adjustment
- Forming station with independent servo-plug drive on upper and/or lower table
- Forming and Cutting Station in solid steel cast structure with needle bearings for toggles
- Stacking station design as up-stacker or down-stacker, with tip-stacker or Pick & Place available
- Frame extension available for hole-punching station or integration of padding station



Heating with efficient ceramic elements (HTS)

Technical Data	KMD 85 Speed
Maximum forming area	825 x 675 mm
Minimum forming area	375 x 350 mm
Maximum tool dimensions	850 x 700 mm
Maximum tool weight per table	750 kg
Maximum height of formed part above film level	150 mm
Maximum height of formed part below film level	150 mm
Maximum film width	880 mm
Maximum production speed / BFS-mode	45 cycles/min. / 40 cycles/min.