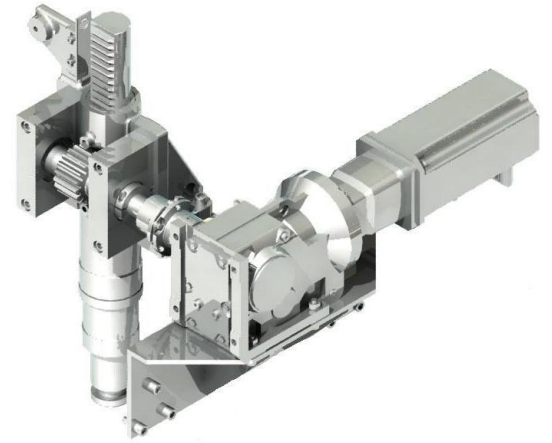


SERVICE UPGRADINGS

Packaging

KIEFEL GmbH
Sudetenstraße 3
83395 Freilassing
GERMANY
+49 (0) 8654 78 – 602
upgrades@kiefel.de
www.kiefel.com/service

KMD / KMV Plug Assist / Ejector*



DESCRIPTION:

A motor-driven stamp is installed at the upper table. The power transmission is performed with toothed racks from the motor to the stamp. A synchronous servo motor is used as propulsion. The stamp stroke is adjusted on the operation screen, the position scanning on the servo motor. The direction and the breakpoints of the stamp have to be installed in the tool. The maximum stroke of the stamp unit is 170 mm.

YOUR ADVANTAGES:

- ▶ State-of-the-art
- ▶ Ability to run a wider range of products

* The plug assist / ejector can be retrofitted in most KIEFEL KMD and KMV- machines.

We would be pleased to make a quotation according to your machine.
To provide best assistance please mention your machine type and ID-number.