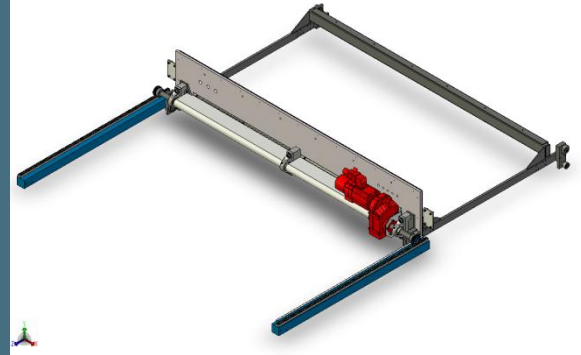


SERVICE UPGRADINGS

Automotive / Packaging

KIEFEL GmbH
Sudetenstraße 3
83395 Freilassing
GERMANY
+49 (0) 8654 78 – 602
upgrades@kiefel.de
www.kiefel.com/service

KLS Sliding Table Drive from pneumatic to motor driven*



DESCRIPTION:

The retrofitting kit enables an upgrade of the sliding table from a pneumatic to a servo motor drive. The advantage of this system is the possibility to adjust the movement of the table more accurate. This leads to a reduction of costs.

YOUR ADVANTAGES:

- ▶ Reduction of cycle time
- ▶ Exact positioning also at high speed due to gentle start- and brake ramps.
- ▶ Extended options e.g. for adjustment of speed over display

* The retrofitting of the sliding tables can be performed in most KIEFEL KLS machines.

We would be pleased to make a quotation according to your machine.
To provide best assistance please mention your machine type and ID-number.